

NTP-RG-1400G/GC, NTP-RG-1402G/GC

NTP-RG-1400G/GC, NTP-RG-1402G/GC represent high-performance multifunctional subscriber terminals designed for up-to-date telephone services and high-speed Internet access. RG series subscriber terminals provide a variety of opportunities for local network operation.

PON technology

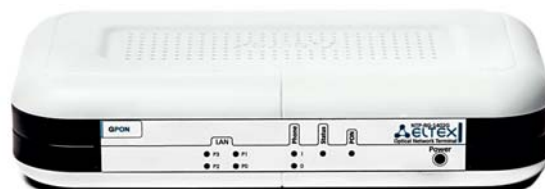
GPON network refers to a type of Passive Optical Networks (PON). It is one of the most effective and advanced “last mile” solution which enables to significantly save on cable infrastructure and to provide downlink transmission rate up to 2.5 Gbps and 1.25 Gbps uplink rate. GPON solutions application on access networks makes it possible to user to get access to new services based on IP protocol along with ordinary telephone services.

Available services

- High-speed access to Internet;
- Streaming video/High Definition TV;
- IPTV;
- IP telephony;
- Video on demand (VoD);
- Video conference;
- Online entertaining and teaching programs

Typical application

- Connection of tenement houses and cottage settlements subscribers to broadband access services;
- Corporate networking in large-scale enterprises and business centers.



NTP-RG-1400G/GC

- + 1 GPON port
- + Gigabit router
4 10/100/1000 Base-T ports
- + USB port
- + Max. distance to OLT: 20 km
- + Embedded Triplexer for providing CaTV service
(for NTP-RG-1400GC)

NTP-RG-1402G/GC

- + 1 GPON port
- + Gigabit router
4 10/100/1000 Base-T ports
- + 2 FXS ports
- + USB port
- + Max. distance to OLT: 20 km
- + Embedded Triplexer for providing CaTV service
(for NTP-RG-1402GC)

Technical characteristics

LAN interface parameters

- 4 Ethernet 10/100/1000 Base-T (RJ-45) ports

PON interface parameters

- 1 GPON port

Supported standards

- IEEE 802.1d
- IEEE 802.1w
- IEEE 802.1Q
- IEEE 802.1p

- Transmission medium: SMF 9/125, G.652
- Connector type: SC/APC
- Transmitter power: from +0.5 to +5 dB
- Receiver sensitivity: from -28 to -8 dB
- Optical power budget upstream/downstream: 30.5/30 dB
- Min. optical loss upstream/downstream: 11 dB/15 dB
- Wavelength upstream/downstream: 1310/1490 nm
- Spectral width of the laser upstream/downstream: 1nm/1nm
- Transmission speed upstream/downstream: 1.25/2.5 (1.25) Gbps
- Max. transmission distance: 20 km.

CaTV characteristics (for NTE-RG-140xGC)

- SMB connector for RF output

Supported standards

- ITU-T G.984.2
- IEC 60825-1
- EEC Directive 2002/95/EC (RoHS)

- Input optical power: from -8 to 2 dB
- Wavelength CaTV: 1550 nm
- Output frequency range: from 47 to 870 MHz
- Output level RF: 18 dBmV/channel.

Configuration

- Web interface,
- CLI
- Remote control via Telnet, SNMP, SSH
- Management and software updating via TR-069 protocol

NTP-RG-1400G/GC

NTP-RG-1402G/GC

subscriber terminals
GPON

IP telephony (for NTP-RG-1402G/GC)

Supported protocols

- SIP

Audio codecs

- G.729, annex A, annex B
- G.711 (A/m)
- G.723.1 (5,3 Kbps)
- G.726

Fax transfer

- G.711

Analog subscriber port parameters

- 2 FXS ports
- Loop resistance: up to 2 KOhm
- Dual Tone Multiple Frequency (DTMF)
- Overcurrent and overvoltage protection of line interface
- Caller ID

Features

- Operation in «bridge» or «router» modes;
- PPPoE (PAP, SPAP and CHAP authorization) support;
- Static address and DHCP (DHCP client on WAN port, DHCP server on LAN port, DHCP-relay);
- Domain Name System (DNS);
- Dynamic DNS (DynDNS);
- Universal Plug and Play (UPNP);
- Network Address Translation (NAT);
- Network Time Protocol (NTP);
- TR-069/TR-142;
- Quality of Services (QoS);
- IGMP-snooping;
- IGMP-proxy;

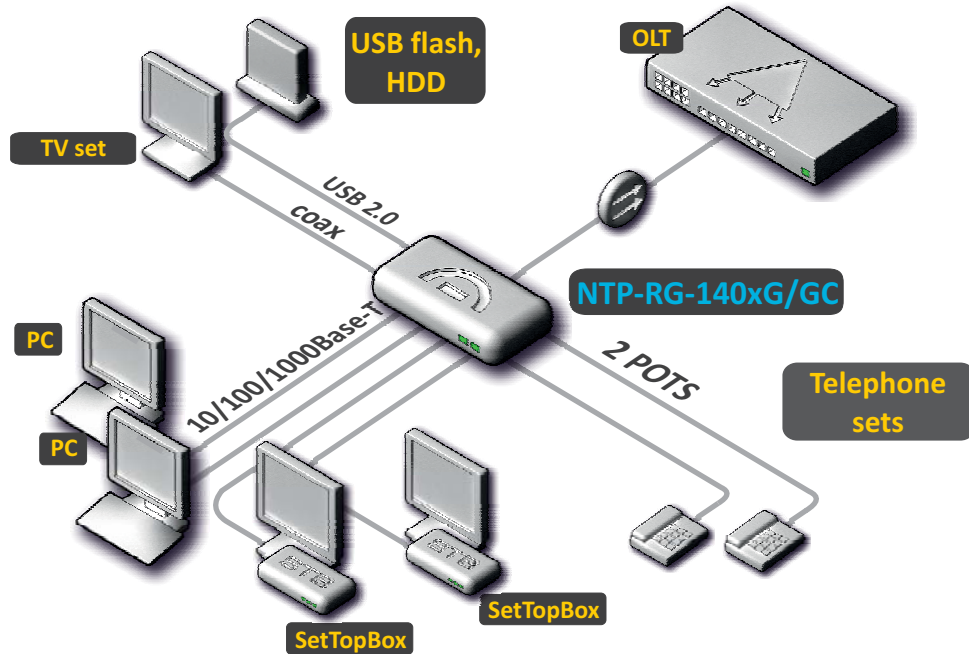
Physical and environmental specifications

- Power supply via adapter: 220V/ (5..24) V
- Power consumption: not more than 16 Watt
- Temperature range at a workplace: from +5 to +40 degrees centigrade
- Relative humidity: up to 80%
- Overall dimensions: 184x44x118 mm, desktop installation







NTP-RG-1400G/GC
NTP-RG-1402G/GC
 subscriber terminals
 GPON

Typical application diagram



Information for order

Description	Picture	Part number
ONT NTP-RG-1400G, 1 GPON (SC) port, 4 Ethernet 10/100/1000 Base-T ports, 1USB port, 20 km		NTP-RG-1400G
ONT NTP-RG-1400GC, 1 GPON (SC) port, 4 Ethernet 10/100/1000 Base-T ports, 1 USB port, Triplexer (RF connector) for connection to cable television, 20 km		NTP-RG-1400GC
ONT NTP-RG-1402G, 1 GPON (SC) port, 4 Ethernet 10/100/1000 Base-T ports, 2 FXS ports, 1 USB port, 20 km		NTP-RG-1402G
ONT NTP-RG-1402GC, 1 GPON (SC) port, 4 Ethernet 10/100/1000 Base-T ports, 2 FXS ports, 1 USB port, Triple X (RF connector) for connection to cable television, 20 km		NTP-RG-1402GC

For technical support for products of Eltex Enterprise Ltd. you may get in contact with our specialists in technical support service. On our web site you may find manuals and software for our products or consult with engineers in technical forum:

+7(383)272-83-31
 +7(383)274-47-87
 Fax: +7(383)274-48-48

E-mail: eltex@eltex.nsk.ru
<http://eltex.nsk.ru>
<http://eltex.nsk.ru/forum>

